

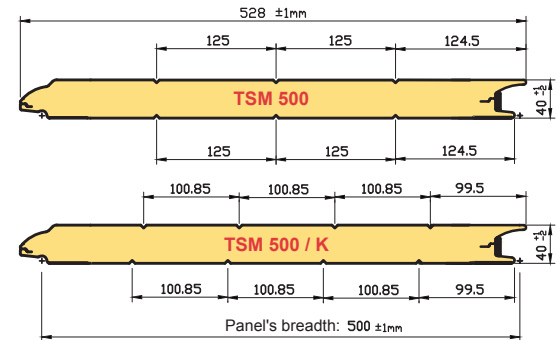
TSM 500 & TSM/K 500
TECSEDO® SAFE Micro

 TSM 500
RAL 9010 - STUCCO

 TSM/K 500
GOLDEN OAK - WOODGRAIN


Panel Weight:		
WG	P25 & P5	4.85 Kg/m
POLY	POLY 25	5.70 Kg/m
WG SM	PVC 140	4.90 Kg/m
WG	P35	4.60 Kg/m
SM	P35	5.10 Kg/m
Weight Tolerance		±5%
Ridges (Standard)		125 mm
Ridges (K Version)		100 mm
mW	m °C	<0.022
K	Watt m °C	0.50
I (ISO 717)		25
Soundproof Index (dB)		

Panel weight is for indication purposes only. Due to the typical tolerances getted during the several steps of the panels components manufacturing process, variations in the final weight of the panel can be found. For this reason and in accordance with the industrial "Best Practices", Tecsedo recommends to weigh the panels before using them for each door assembly, in order to choose the most suitable springs.

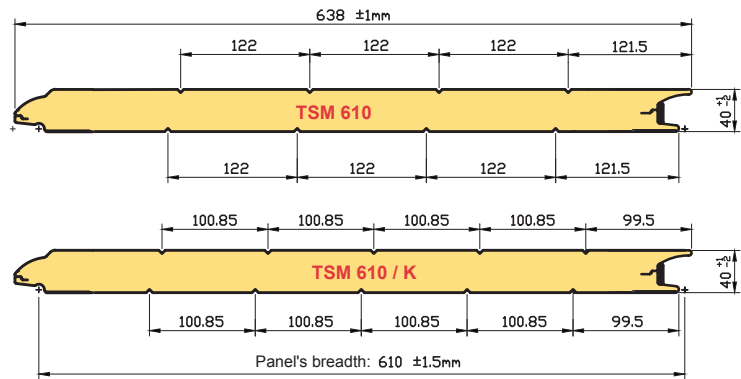


FINISHING External Face	COATING External Face	TYPE External Face	COLOURS* External Face												
STUCCO													* Printed colours are for example only. To ensure proper colour and finishing representation, please contact TECSEDO and request a sample.		
	5µm Paintable Primer		STANDARD GREY												
	25µm Polyester	STANDARD COLOURS	RAL 8014	RAL 9002	RAL 9010										
OTHER COLOURS		RAL 1021	RAL 3000	RAL 5010	RAL 6005	RAL 6009	RAL 7016	RAL 8017	RAL 9006	RAL 9007	Other RAL colours are available on request, subject to minimum quantities				
WOODGRAIN													Other RAL colours are available on request, subject to minimum quantities		
	5µm Paintable Primer		STANDARD GREY												
	25µm Polyester		RAL 8014	RAL 9002	RAL 9010										
		RAL 6005	RAL 6009	RAL 7016	RAL 9006										
	35µm Polyester Multilayer		GBROWN	DBROWN											
	UV Resistant 140µm PVC Film		GOLDEN OAK	DARK OAK	GREEN OAK	MAHOGANY	WENGE	WINCHESTER	ANTHRACITE						
POLYGRAIN															
	25µm Polyammidic		RAL 7016	RAL 9016											
SMOOTH															
	35µm Polyester Multilayer		GBROWN	DBROWN											
	UV Resistant 140µm PVC Film		GOLDEN OAK	DARK OAK	GREEN OAK	MAHOGANY	WENGE	WINCHESTER	ANTHRACITE						
INTERNAL FACE	COLOURS	25µm Polyester	RAL 9002 Stucco	RAL 9010 Stucco	RAL 9002 Smooth	RAL 9010 Smooth									

TSM 610 & TSM/K 610
TECSEDO® SAFE Micro


Panel Weight:		
WG	P25 & P5	5.70 Kg/m
POLY	POLY 25	6.65 Kg/m
WG SM	PVC 140	5.75 Kg/m
WG	P35	5.40 Kg/m
SM	P35	6.00 Kg/m
Weight Tolerance		±5%
Ridges (Standard)		122 mm
Ridges (K Version)		101 mm
mW	λ	m °C
		<0.022
K	Watt	m °C
		0.50
I (ISO 717)		25
Soundproof Index (dB)		

Panel weight is for indication purposes only. Due to the typical tolerances getted during the several steps of the panels components manufacturing process, variations in the final weight of the panel can be found. For this reason and in accordance with the industrial "Best Practices", Tecsedo recommends to weigh the panels before using them for each door assembly, in order to choose the most suitable springs.



FINISHING External Face	COATING External Face	TYPE External Face	COLOURS* External Face	* Printed colours are for example only. To ensure proper colour and finishing representation, please contact TECSEDO and request a sample.
----------------------------	--------------------------	-----------------------	---------------------------	--

STUCCO												
5µm Paintable Primer	STANDARD COLOURS		RAL 8014	RAL 9002	RAL 9010							
	25µm Polyester	OTHER COLOURS	RAL 3000	RAL 5010	RAL 6005	RAL 7016	RAL 8017	RAL 9006	RAL 9007	Other RAL colours are available on request, subject to minimum quantities		
		CORUS SCALE	MERLIN GREY	GOOSEWING GREY	ALBATROS	OCEAN BLUE	SOLENT BLUE	SARGASSO BLUE	JUNIPER GREEN	HERITAGE GREEN	OLIVE GREEN (RAL 6003)	MOORLAND GREEN

WOODGRAIN												
5µm Paintable Primer	STANDARD COLOURS		RAL 8014	RAL 9002	RAL 9010							
	25µm Polyester	OTHER COLOURS	RAL 6005	RAL 7016	RAL 9006	Other RAL colours are available on request, subject to minimum quantities						
		35µm Polyester Multilayer		GBROWN	DBROWN							
UV Resistant 140µm PVC Film			GOLDEN OAK	DARK OAK	GREEN OAK	MAHOGANY	WENGE	WINCHESTER	ANTHRACITE			

POLYGRAIN												
25µm Polyammidic			RAL 7016	RAL 9016								

SMOOTH												
35µm Polyester Multilayer			GBROWN	DBROWN								
	UV Resistant 140µm PVC Film			GOLDEN OAK	DARK OAK	GREEN OAK	MAHOGANY	WENGE	WINCHESTER	ANTHRACITE		

INTERNAL FACE	COLOURS	25µm Polyester	RAL 9002 Stucco	RAL 9010 Stucco	RAL 9002 Smooth	RAL 9010 Smooth
---------------	---------	----------------	-----------------	-----------------	-----------------	-----------------