

# TRADITIONAL PANELS FOR SECTIONAL DOORS

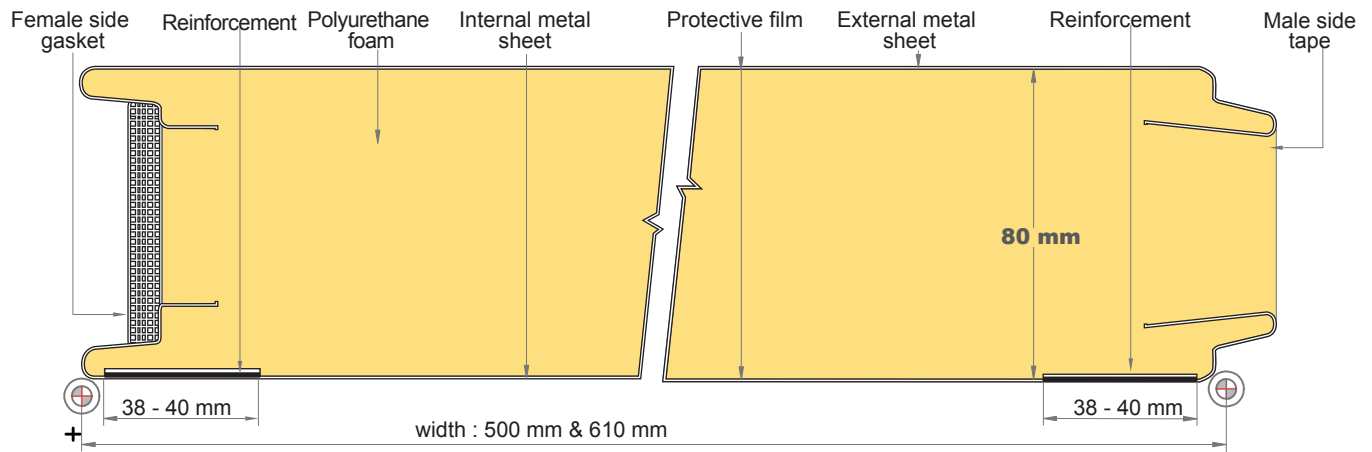
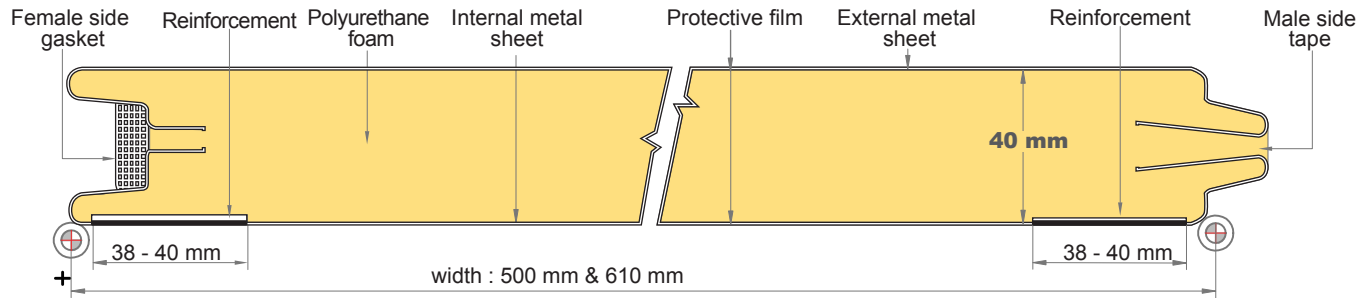
Panels featured with traditional joint made to guarantee repeated opening/closing cycles and to enable good long-lasting resistance to extreme weather conditions. Doors made of TECSEDO® BASE panels, together with accessory kits of the most important worldwide suppliers, have been successfully tested according to EN 13241-1 standard, under the supervision and approval of SP, Technical Research Institute of Sweden.

## TECHNICAL SPECIFICATIONS (further details are available on the technical sheets of each version)

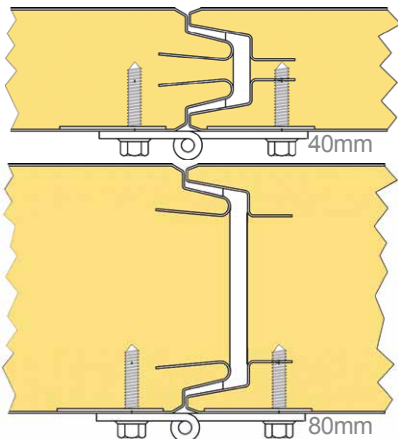
- Panels available in 500 mm and 610 mm module
- External structure: prepainted galvanized steel, or aluminium, on both sides
- Coatings: 25 µm Polyester or Platisol 200 µm (on request)
- Panels with traditional joint
- Panels thickness: 40 mm or 80 mm (nominal)
- A PVC sealing tape is applied during the production phase to the panel nose
- Insulation: high-density (40 kg/m<sup>3</sup>) self-extinguishing, HCFC-free, closed cells, polyurethane foam
- Female side is fitted with sealing foam gasket providing air and water tightness (both Class 3, according to EN 13241-1)
- Both sides are protected by adhesive polythene film (to be removed before installation)
- 2 longitudinal steel reinforcements are placed at hinge position to guarantee secure fixation.

## CONDITIONS

- Standard length: 13,500 mm (Max.) – Standard packages contain 18 panels
- Packaging: panels are wrapped by extensive polythene and positioned on polystyrene slabs over analogue support blocks (polystyrene sheet can be applied on the upper panel on request).



## FIXING DETAILS



## MAX TOLERANCES

Thickness:	+1-2mm
Length:	± 5 mm
Width:	± 2 mm
Out Of Square:	< 0.5% of the total width
Bowing:	< 2 mm/m; max = 10mm
Height of microgrooves:	± 1 mm
Skew of metal parameters:	2 mm max
Flatness L=distance between the edges of measuring s = shifting aside	L < 300 mm; s ≤ 1% 300 < L < 1000; s = 3 mm max
Metal sheets:	following EN 10147 and EN 10143
Aesthetic requirements:	ECCS European convention recommendation of metal construction Part II "Good practise"
Prepainting systems:	ECCS European convention recommendation of metal construction Part I "Design" – point 2.5.3
Brilliance:	following EN 10169

# FINGERSAFE PANELS FOR SECTIONAL DOORS

Panels featured with special pinch free joint which enables to protect fingers, and other objects, during door opening/closing phases according to EN 12604 standard.

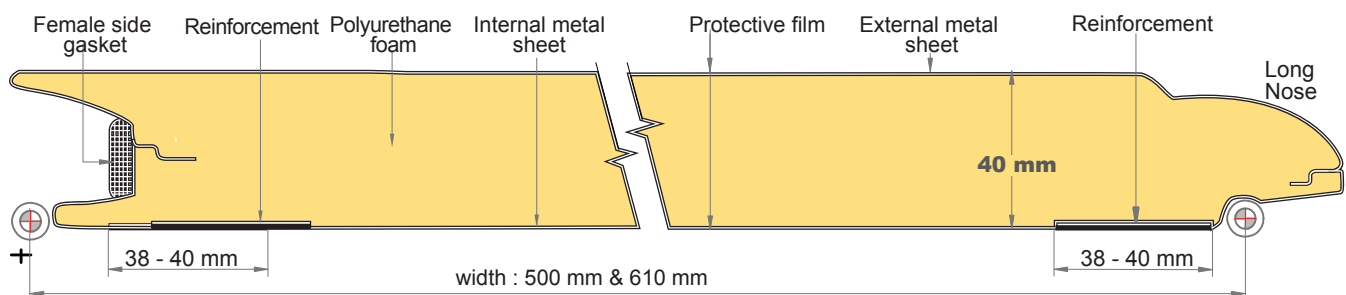
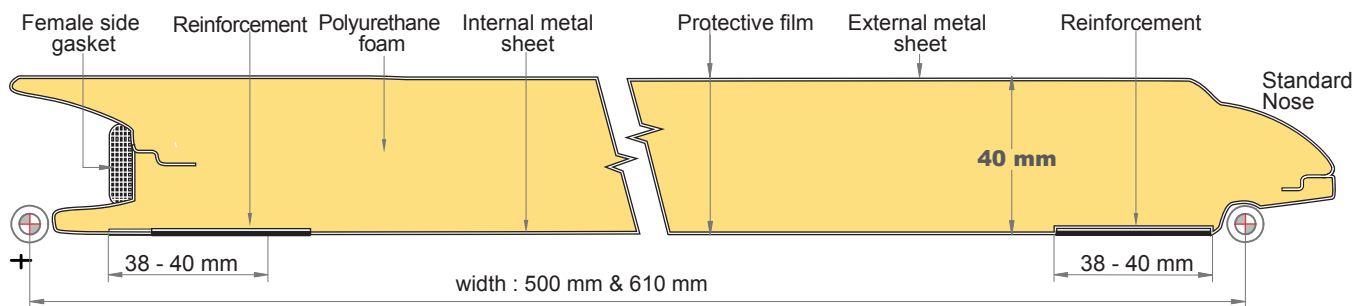
Doors made of TECSEDO® SAFE panels, together with accessory kits of the most important worldwide suppliers, have been successfully tested according to EN 13241-1 standard, under the supervision and approval of SP, Technical Research Institute of Sweden.

## TECHNICAL SPECIFICATIONS (further details are available on the technical sheets of each version)

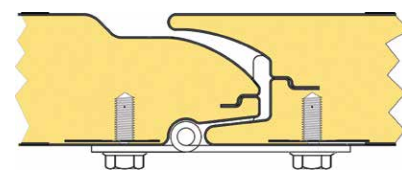
- Panels available in modules of 500 mm and 610 mm
- External structure: prepainted galvanized STEEL
- Special pinch free joint which protects fingers, and other objects, during door opening/closing phases (EN 12604)
- Panels thickness: 40 mm (nominal)
- Insulation: high-density self-extinguishing, HCFC-free, closed cells, polyurethane foam
- Coatings: 25 µm Polyester, Polyamide (only for thicker plates), 35 µm Polyester Multilayer, or 140 µm PVC Film
- A PVC sealing tape is applied during the production phase to the panel nose
- Female side is fitted with sealing foam gasket providing air and water tightness (Both Class 3 according to EN 13241-1; water tightness increased up to 110 PA)
- Both sides are protected by adhesive polythene film (to be removed before installation)
- 2 internal continuous longitudinal steel reinforcements are placed at hinge position to guarantee secure fixation.

## CONDITIONS

- Standard length: 13,500 mm (Max) – Standard packages contain 18 panels
- Packaging: panels are wrapped by extensive polythene and positioned on polystyrene slabs over analogue support blocks (polystyrene sheet can be applied on the upper panel on request).



## FIXING DETAILS



Long nose (versions TSL, TSS, TSD)



Standard nose (all other versions)

## MAX TOLERANCES

Thickness:	+1-2mm
Length:	± 5 mm
Width:	± 2 mm
Out Of Square:	< 0.5% of the total width
Bowing:	< 2 mm/m; max = 10mm
Height of microgrooves:	± 1 mm
Skew of metal parameters:	2 mm max
Flatness L=distance between the edges of measuring s = shifting aside The size of S to be taken every 1000 mm	L < 300 mm; s ≤ 1% 300 < L < 1000; s = 3 mm max
Metal sheets:	following EN 10147 and EN 10143
Aesthetic requirements:	ECCS European convention recommendation of metal construction Part II "Good practise"
Prepainting systems:	ECCS European convention recommendation of metal construction Part I "Design" – point 2.5.3
Brilliance:	following EN 10169